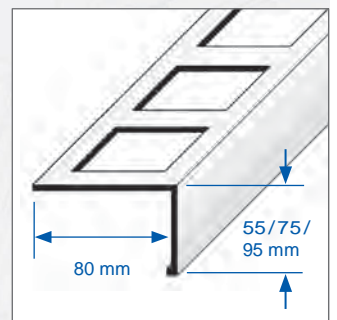
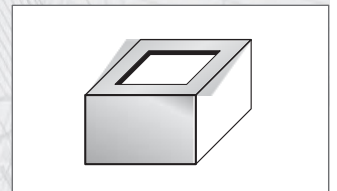
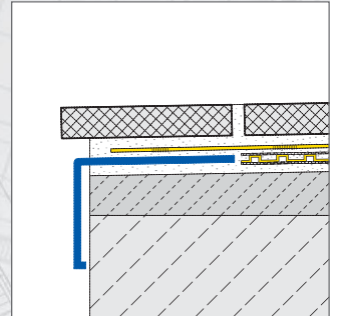
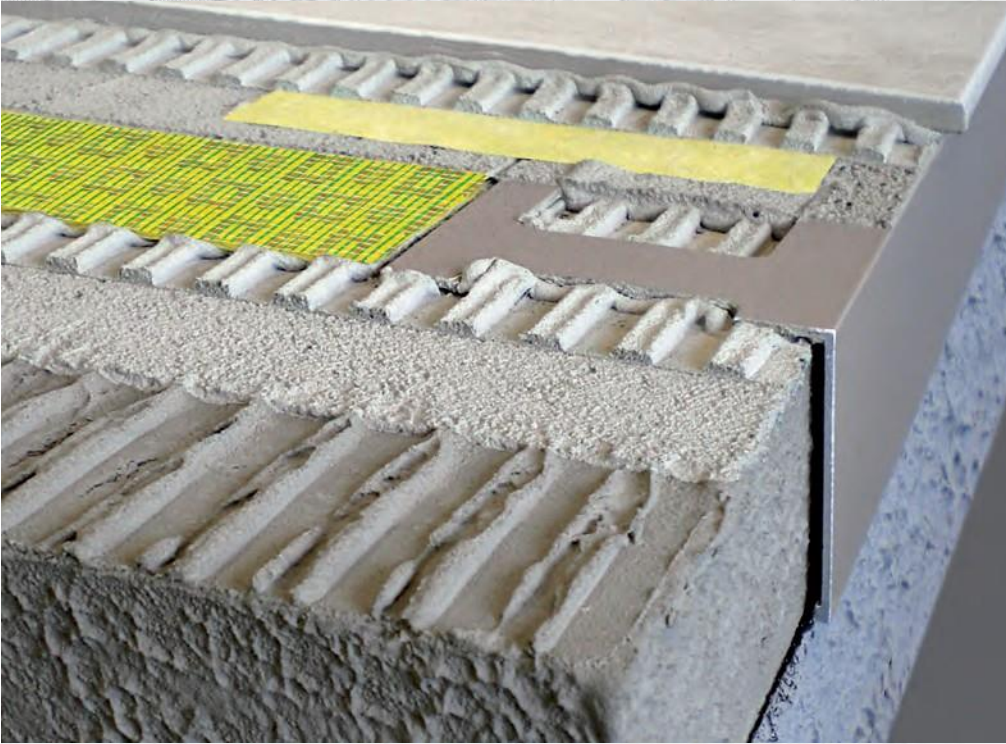


DURABAL BW

1/2

L-form balcony corner profile for balconies and terraces

DURAL



APPLICATION & FUNCTION:

DURABAL WP balcony corner profiles in L-shaped form are laid with the square perforated legs onto the load spreading layer (screed) using thin-bed mortar then thoroughly embedded and aligned to be flush.

Connecting and corner pieces are also available to cover the necessary joints of about 2 mm between the profiles.

Afterwards DURABASE CI++ decoupling mats are laid. These are moved up so that they touch the contact legs of the edging profile. Sealing tape about 150 mm wide (DURABASE WP) is then stuck over the edge profile and the DURABASE CI++ mat. For technical and visual reasons, the balcony edge profile should be aligned that tiling surface protrude the edging profile about 1.5 cm. DURABAL BW L-form balcony corner profiles are ideally suited for refurbishment of balconies and terraces involving the relaying of tiles, paving, concrete paving stones or natural stone using thin bed techniques.

PROPERTIES & USAGE:

Water must not collect in pockets in the thin-bed mortar layer in which the balcony corner profiles are installed since this can lead to such things as frost damage, efflorescence and depreciation of aluminium profiles due to highly alkaline aqueous solutions. Full mortaring and application of DURABASE WP sealing tape in the area of the contact leg is essential. DURABAL BW L-form balcony corner profiles made of V2A (1.4301) stainless steel withstand heavy mechanical and chemical stresses, e.g. cleaning with acidic or highly alkaline products or the use of steam cleaning equipment.

STONE CONCEPT HOLDINGS P/L

3/179-183 Woodpark Road,
Smithfield, NSW, 2164

Tel. +61 (02) 9757 3880

Fax +61 (02) 9818 5073

products@stoneconcept.com.au

DURABAL BW

2/2

L-form balcony corner profile for balconies and terraces

MATERIAL:

DURABAL BW T-form balcony corner profiles of powder-coated aluminium are available in four colours (RAL 7035, 1019, 8003, 8019). The powder coating of the aluminium profiles is colour-fast and resistant to UV and weathering. The visible surfaces should be protected from abrasion and mortar residues. Connecting and corner pieces are also available to complete the range.

For all products and materials, the following applies: The suitability of the material with regard to the expected mechanical loading and chemical exposure must be investigated carefully in each individual case. General rules of good engineering practice must always be observed!

Care and Maintenance:

Regular cleaning not only provide for attractive appearance of aluminium or stainless steel profiles, it also reduces deposits (corrosion). All cleaning agents should be free of hydrochloric acid (e.g. cement remover) and hydrofluoric acid. Aluminium balcony corner profiles should be cleaned when necessary using pH-neutral cleaning agents (pH 6-8) with no abrasive additives. The manufacturer's product recommendations for the cleaning agents should be followed at all costs.



RAL 7035

RAL 1019

RAL 8003

RAL 8019

PRODUCT DATA:

MATERIAL:	– Aluminium powder coated – Stainless steel natural V2A (1.4301)
COLOUR:	RAL 1019 = grey beige, RAL 8019 = grey brown, RAL 8003 = clay brown, RAL 7035 = light grey
PROFILE LENGTH:	250 cm
HEIGHT:	55/75/95mm
WIDTH of HORIZONTAL Web:	80 mm
TYPE OF USE:	Balcony and terrace edge profile
MANUFACTURE:	In accordance with DIN EN 755-1, "Aluminium and aluminium alloys – Extruded rod/bar, tube and profiles - Part 1: Technical conditions for inspection and delivery".
COEFFICIENT of THERMAL EXPANSION:	Aluminium = 24×10^{-6} m/m °C

STONE CONCEPT HOLDINGS P/L
3/179-183 Woodpark Road,
Smithfield, NSW, 2164
Tel. +61 (02) 9757 3880
Fax +61 (02) 9818 5073
products@stoneconcept.com.au